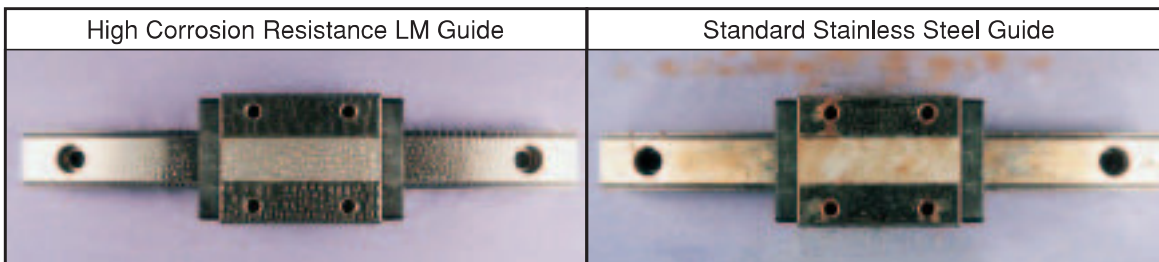
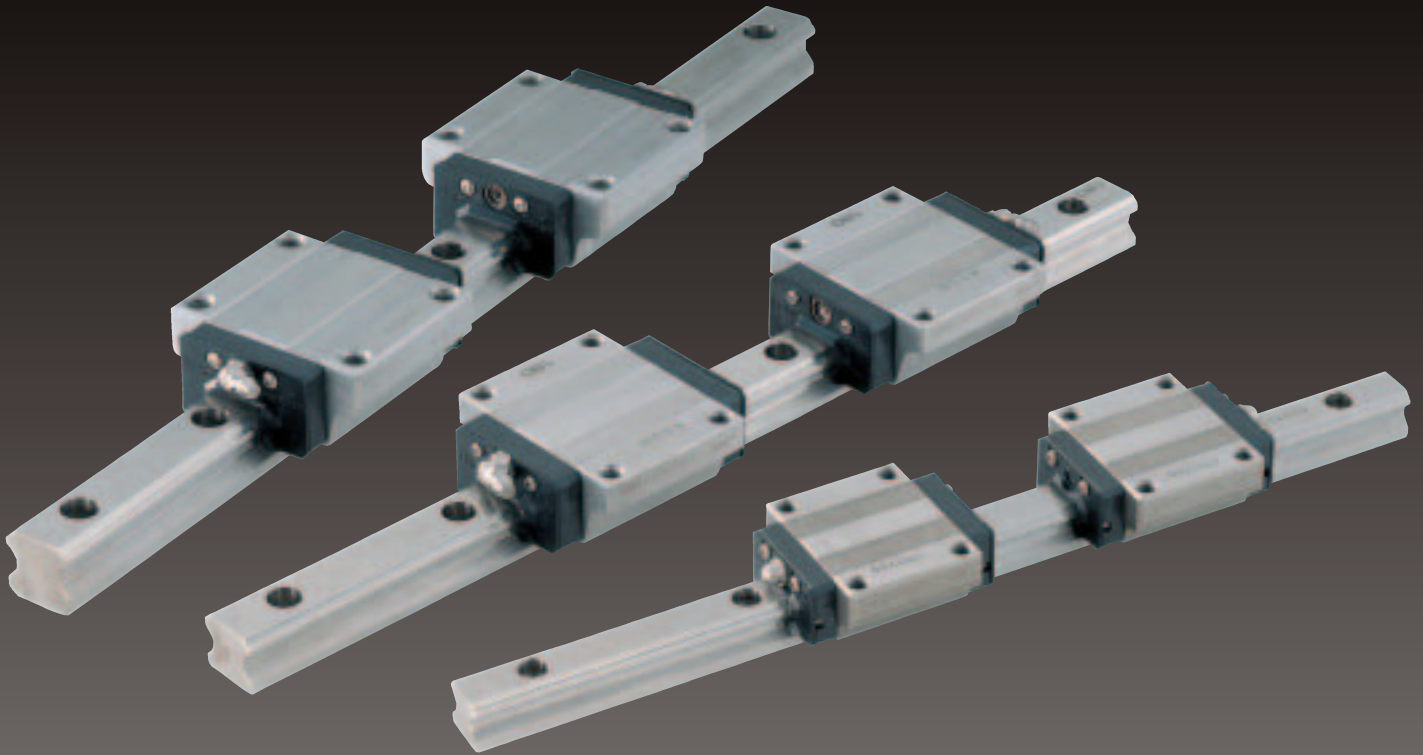




High Corrosion Resistance LM Guide

Employing High Corrosion Resistance
Stainless Steel for a Considerable
Improvement in Corrosion Resistance

HSR-M2



Test conditions: 24 hours at different combinations of temperature and humidity (humidity: 95%, temperature: 25-65°C) x 8 cycles

THK CO., LTD.
TOKYO, JAPAN

CATALOG No.243-4E

High Corrosion Resistance LM Guide HSR-M2

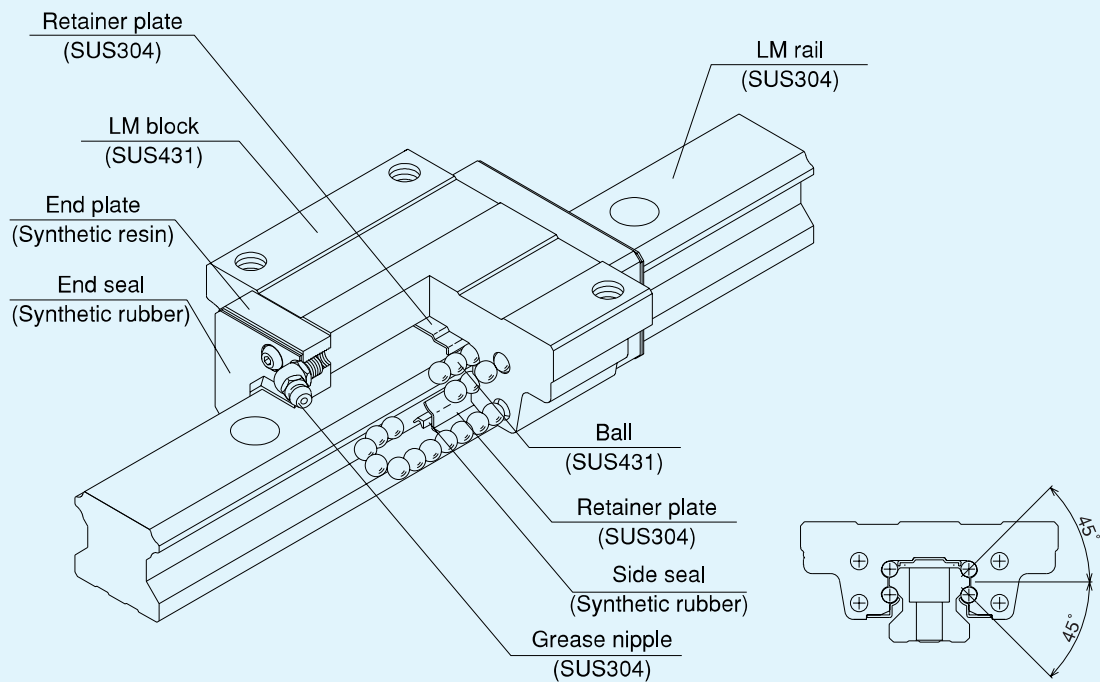


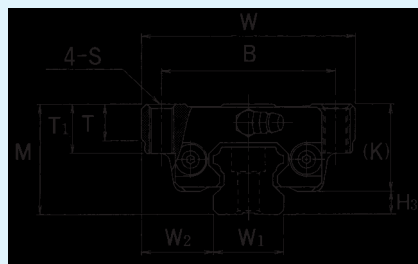
Fig. 1 Structural Drawing of High Corrosion Resistance LM Guide Model HSR-M2A

Structure and Features

■High Corrosion Resistance

The LM rail, LM block and balls are made of highly corrosion resistant stainless steel and the other metal parts are made of stainless steel, allowing superb corrosion resistance to be achieved. As a result, the need for surface treatment is eliminated.

■Corrosion resistance test: Refer to the cover.



Model No.	Outer dimensions			LM block dimensions										
	Height M	Width W	Length L	B	C	S	L ₁	T	T ₁	K	N	E	Grease nipple	H ₃
HSR 15M2A	24	47	56.6	38	30	M5	38.8	6.5	11	19.3	4.3	5.5	PB1021B	3.5
HSR 20M2A	30	63	74	53	40	M6	50.8	9.5	10	26	5	12	B-M6F	4
HSR 25M2A	36	70	83.1	57	45	M8	59.5	11	16	30.5	6	12	B-M6F	5.5

Note: For the high corrosion resistance type LM Guide, a stainless steel end plate is optionally available. (symbol: I)

Radial clearance / Accuracy grade

The radial clearances of the high corrosion resistance LM Guide Model HSR-M2 are shown in Table 1. In addition, precision symbols are shown in Table 2.

Table 1 Radial clearances Unit: μm

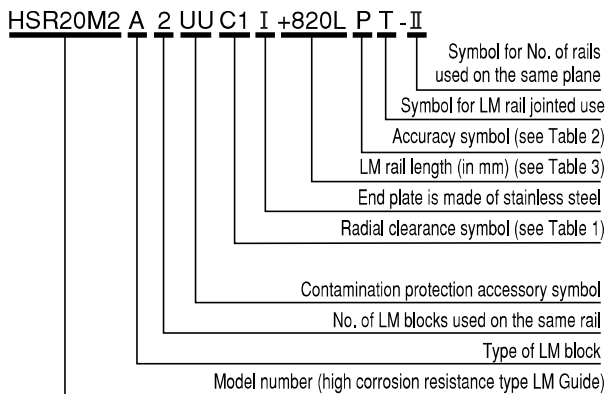
Model No.	Symbol	Normal	Light preload
	No symbol		C1
HSR 15M2		-4 to +2	-12 to -4
HSR 20M2		-5 to +2	-14 to -5
HSR 25M2		-6 to +3	-16 to -6

Table 2 Accuracy Symbols

Accuracy grade	Normal	High accuracy	Precision	Super-precision	Ultra-precision
Accuracy symbol	No symbol	H	P	SP	UP

Please refer to the general catalog for other details.

Model number coding



Note: This model number indicates that a single-rail unit constitutes one set. (i.e., required number of sets when 2 rail are used in parallel is 2 at a minimum.)

Standard and maximum lengths of LM rails

Standard lengths and maximum lengths are shown in Table 3. Even in the case of designating special lengths, the dimensions in the table are recommended to be used for dimension G. If dimension G is too long, there may be a detrimental effect on precision due to inadequate anchoring of the end of the shaft. If the maximum length of the desired LM rail exceeds them, jointed rails will be used. Contact THK for details.

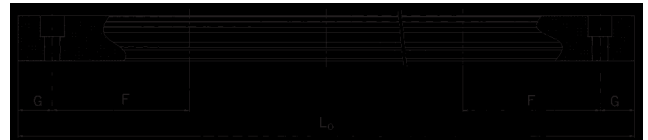


Table 3 Standard and maximum LM rail lengths

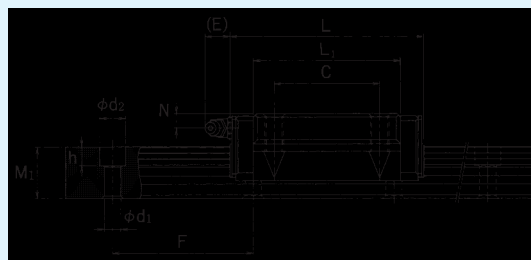
Unit: mm

Model No.	HSR 15M2	HSR 20M2	HSR 25M2
LM rail standard length (L_0)	160	280	280
	280	460	460
	460	640	640
	640	820	820
			1000
Standard pitch F	60	60	60
G	20	20	20
Max length	1000	1000	1000

Note1) The maximum length varies with accuracy grades. Contact THK for details.
Note2) If jointed rails are not allowed and a greater length than the maximum values above is required, contact THK.

Selection and Service Life Calculation of LM Guides

Please consider conditions of use after referring to the general catalog.



Unit: mm

Width W_1 ± 0.05	LM rail dimensions				Length*1 Max	Basic load rating*2		Static permissible moment N·m*3						Mass	
	W_2	Height M_1	Pitch F	$d_1 \times d_2 \times h$		C kN	C_0 kN	M_A 1 block Double block		M_B 1 block Double block		M_C 1 block	LM block kg	LM rail kg/m	
15	16	15	60	4.5 x 7.5 x 5.3	1000	2.33	2.03	12.3	70.3	12.3	70.3	10.8	0.2	1.5	
20	21.5	18	60	6 x 9.5 x 8.5	1000	3.86	3.57	29	160	29	160	26.5	0.35	2.3	
23	23.5	22	60	7 x 11 x 9	1000	5.57	5.16	46.9	261	46.9	261	45.1	0.59	3.3	

1 The maximum length under "Length" indicates the standard maximum length of an LM rail.

*2 The basic load rating of the high corrosion resistance type LM Guide is smaller than ordinary stainless steel LM Guides.

*3 Static permissible moment: 1 block: static permissible moment value with 1 LM block

Double blocks: static permissible moment value with 2 blocks closely contacting with each other

THK High Corrosion Resistance LM Guide HSR-M2

Precautions During Use

*Handling

- * Please handle this product with care. Dropping of this product or subjecting to strong impacts can result in damage.
- * Careless disassembly of this product can cause entry of foreign objects and deterioration of precision. Do not disassemble unless absolutely necessary.
- * Tilting the LM rail on an angle can cause the LM block to move and drop off. Be careful so that the LM block does not come off.

*Rated Load

- * Please note that the rated load of high corrosion resistance LM Guides is smaller than that of conventional stainless steel guides.

*Working Temperature Range

- * Avoid using this product at temperatures above 80°C. Please inquire to THK in the case of using at temperatures above 80°C.

*Use and Lubrication in Special Environments

- * Please inquire to THK in the case of using the product in locations continually subjected to vibrations or in special environments such as clean rooms, vacuum or locations of considerable temperature extremes.

● “LM Guide,” “Ball Cage,” “,” and “QZ” are registered trademarks of THK CO., LTD.

- The photo may differ slightly in appearance from the actual product.
 - The appearance and specifications of the product are subject to change without notice. Contact THK before placing an order.
 - Although great care has been taken in the production of this catalog, THK will not take any responsibility for damage resulting from typographical errors or omissions.
 - For the export of our products or technologies and for the sale for exports, THK in principle complies with the foreign exchange law and the Foreign Exchange and Foreign Trade Control Law as well as other relevant laws.
- For export of THK products as single items, contact THK in advance.

All rights reserved

THK CO., LTD.

HEAD OFFICE 3-11-6, NISHIGOTANDA, SHINAGAWA-KU, TOKYO 141-8503 JAPAN
INTERNATIONAL SALES DEPARTMENT PHONE:+81-3-5434-0351 FAX:+81-3-5434-0353
Global site : <http://www.thk.com/>

NORTH AMERICA

- THK AMERICA, Inc.
● HEADQUARTERS
Phone:+1-847-310-1111 Fax:+1-847-310-1271
● CHICAGO OFFICE
Phone:+1-847-310-1111 Fax:+1-847-310-1182
● NEW YORK OFFICE
Phone:+1-845-369-4035 Fax:+1-845-369-4909
● ATLANTA OFFICE
Phone:+1-770-840-7990 Fax:+1-770-840-7897
● LOS ANGELES OFFICE
Phone:+1-949-955-3145 Fax:+1-949-955-3149
● SAN FRANCISCO OFFICE
Phone:+1-925-455-8948 Fax:+1-925-455-8965
● BOSTON OFFICE
Phone:+1-781-575-1151 Fax:+1-781-575-9295
● DETROIT OFFICE
Phone:+1-248-858-9330 Fax:+1-248-858-9455
● TORONTO OFFICE
Phone:+1-905-820-7800 Fax:+1-905-820-7811

SOUTH AMERICA

- THK BRASIL LTDA.
Phone:+55-11-3767-0100 Fax:+55-11-3767-0101

EUROPE

- THK GmbH
● EUROPEAN HEADQUARTERS
Phone:+49-2102-7425-0 Fax:+49-2102-7425-217

- DÜSSELDORF OFFICE
Phone:+49-2102-7425-0 Fax:+49-2102-7425-299
● STUTTGART OFFICE
Phone:+49-7150-9199-0 Fax:+49-7150-9199-888
● MÜNCHEN OFFICE
Phone:+49-8937-0616-0 Fax:+49-8937-0616-26
● U.K. OFFICE
Phone:+44-1908-30-3050 Fax:+44-1908-30-3070
● ITALY MILANO OFFICE
Phone:+39-039-284-2079 Fax:+39-039-284-2527
● ITALY BOLOGNA OFFICE
Phone:+39-051-641-2211 Fax:+39-051-641-2230
● SWEDEN OFFICE
Phone:+46-8-445-7630 Fax:+46-8-445-7639
● AUSTRIA OFFICE
Phone:+43-7229-51400 Fax:+43-7229-51400-79
● SPAIN OFFICE
Phone:+34-93-652-5740 Fax:+34-93-652-5746
● TURKEY OFFICE
Phone:+90-216-569-7123 Fax:+90-216-569-7050
THK FRANCE S.A.S.
Phone:+33-4-3749-1400 Fax:+33-4-3749-1401

CHINA

- THK (CHINA) CO.,LTD.
● HEADQUARTERS
Phone:+86-411-8733-7111 Fax:+86-411-8733-7000

- SHANGHAI OFFICE
Phone:+86-21-6219-3000 Fax:+86-21-6219-9890
● BEIJING OFFICE
Phone:+86-10-6590-3259 Fax:+86-10-6590-3557
● CHENGDU OFFICE
Phone:+86-28-8525-2356 Fax:+86-28-8525-6357
● GUANGZHOU OFFICE
Phone:+86-20-8333-9770 Fax:+86-20-8333-9726
THK (SHANGHAI) CO.,LTD.
Phone:+86-21-6275-5280 Fax:+86-21-6219-9890

TAIWAN

- THK TAIWAN CO.,LTD.
● TAIPEI OFFICE
Phone:+886-2-2888-3818 Fax:+886-2-2888-3819
● TAICHUNG OFFICE
Phone:+886-4-2359-1505 Fax:+886-4-2359-1506
● SOUTHERN OFFICE
Phone:+886-6-289-7668 Fax:+886-6-289-7669

KOREA

- SEOUL REPRESENTATIVE OFFICE
Phone:+82-2-3468-4351 Fax:+82-2-3468-4353

SINGAPORE

- THK LM SYSTEM Pte. Ltd.
Phone:+65-6884-5500 Fax:+65-6884-5550

INDIA

- BANGALORE REPRESENTATIVE OFFICE
Phone:+91-80-2330-1524 Fax:+91-80-2330-1524

